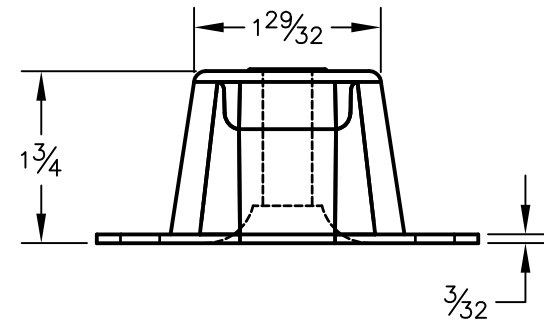
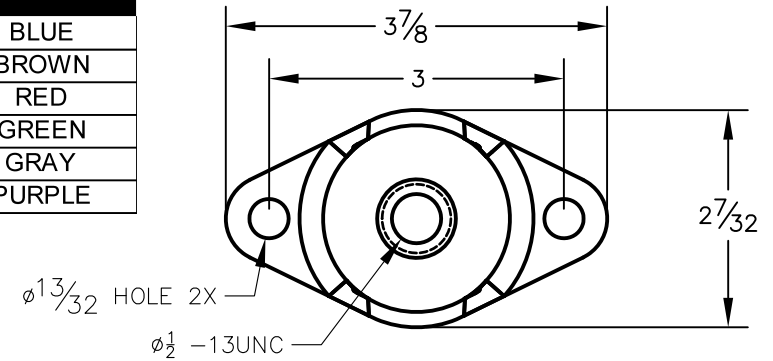
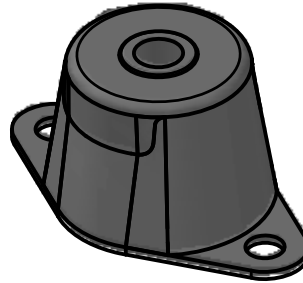


REV.	DESCRIPTION	DATE	BY

PART NO.	MODEL DESIGNATION	MAX. AXIAL LOAD, LBS (KG)	RATED RADIAL LOAD (LBS.)	DUROMETER	COLOR CODE
115A-100618-01	RDC2-BLUE-WR	100 (45)	\triangle	30	BLUE
115A-100618-02	RDC2-BROWN-WR	175 (80)	50	40	BROWN
115A-100618-03	RDC2-RED-WR	300 (135)	85	50	RED
115A-100618-04	RDC2-GREEN-WR	425 (195)	120	60	GREEN
115A-100618-05	RDC2-GRAY-WR	550 (250)	160	70	GRAY
115A-100618-06	RDC2-PURPLE-WR	675 (305)	190	80	PURPLE

TABLE 1

- MOUNTS PROVIDE A NOMINAL 9-12Hz AXIAL NATURAL FREQUENCY AT RATED AXIAL LOAD.
- MAXIMUM AXIAL DEFLECTION TO SOLID COMPRESSION, 0.38.



NOTES:

- MOLDED STEEL AND ELASTOMER MOUNT FOR ALL-ATTITUDE, CAPTIVE, FAIL-SAFE USE IN AVERAGE COMMERCIAL AND INDUSTRIAL APPLICATIONS. CONSULT VMC FOR APPLICATION AND EXTREME ENVIRONMENT USE. OTHER LOAD RATINGS AVAILABLE.
- ALL DIMENSIONS ARE FOR CUSTOMER REFERENCE ONLY. TABLE 1 IS AVERAGE DESIGN DATA FOR CUSTOMER REFERENCE.
- MODEL COLORS ARE ACTUAL MOUNT COLOR.
- \triangle CONTACT VMC FOR APPLICABLE RATED LOAD.

OTHER MATERIALS, COMPOUNDS, OR FINISHES WITH EQUAL OR SUPERIOR PROPERTIES MAY BE SUBSTITUTED AS THEY BECOME AVAILABLE.

CERTIFIED FOR:

JOB NAME: _____
 CUSTOMER : _____
 CUSTOMER P.O.: _____
 SALES ORDER: _____

MODEL RDC2 DURULENE 100-675 LBS.
 ELASTOMERIC RESTRAINED DOUBLE
 DEFLECTION ISOLATOR



VMC GROUP
 THE POWER OF TOGETHER™
 Bloomingdale, NJ 07403
 Houston, TX 77041

SCALE :

NONE

SHEET:

1 OF 1

DRAWING NO.:

REVISION

